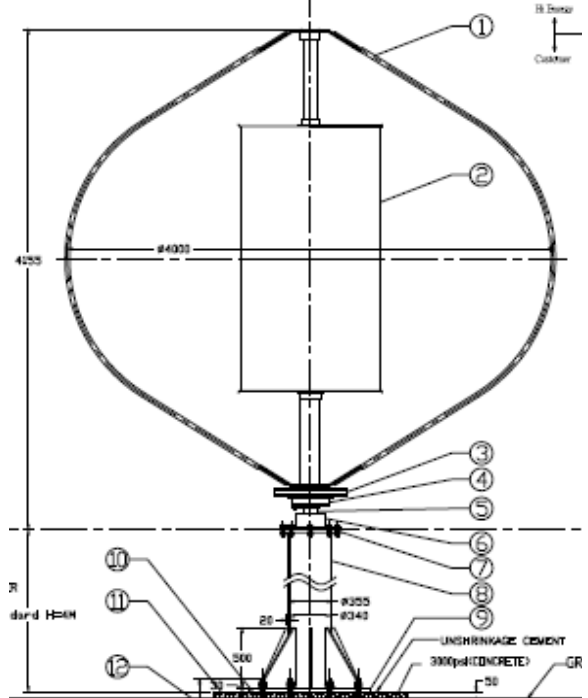
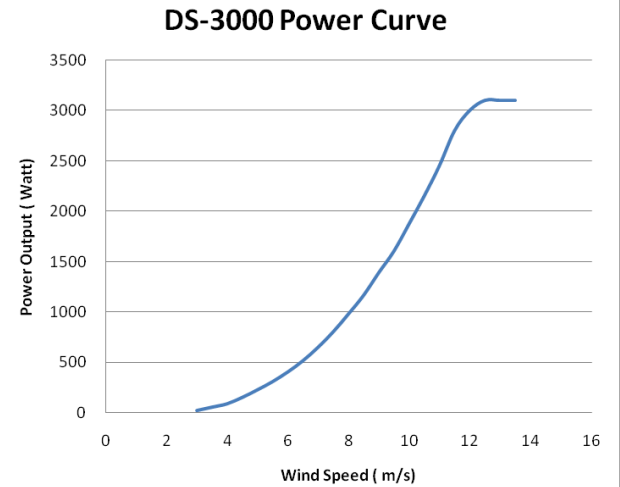





**HiEnergy Vertical Axis Wind Turbine Model DS3000**

General Specifications			
Rated Power	3kW	Rated Wind Speed	12 m/s
Rated Speed	200 rpm	Cut in Wind Speed	<3 m/s
Cut out Wind Speed	15 m/s	Survival Wind Speed	60 m/s
Dimensions/Weight			
Rotor Diameter	4m		
Rotor Height	4.2m		
Tower Height	4 m (minimum)		
Total Height	8.2m (minimum)		
Turbine Weight	680kg w/o tower		
Rotor Specifications			
External Darrieus	3 blades		
Internal Savonius	2 layers		
Blade Material	Anodized aluminum		
Axis Material	Galvanized steel SS400		
Generator Specifications		Power Curve	
Generator Type	AC, 3phase, synchronism PMG		
Rated Output	3kW		
Braking System			
Automatic	Automatic dump-load and 3-phase short circuit braking system		
Manual	Mechanical drum brake		
Operating Conditions			
Ambient Temperature	-10~40 °C		
Ambient Humidity	95% max.		

**HiEnergy Vertical Axis Wind Turbine Model DS3000**

**Product Specifications**

<b>Controller</b>	Stand-alone(WD152)	Grid-tied(WT21500)
Made in Taiwan		
<b>Optional Controller</b>	PVI-6000	
Made in Italy	N/A	

**Note:**

- All systems are CE certified.
- The grid-tied inverter model WT21500 is VDE0126 approved.
- US market must use the PVI-6000 until the WT21500 receives UL1741 approval; unit is currently in the process of approval.
- Inverter specifications available upon request.

**[www.newedisonenergy.com](http://www.newedisonenergy.com)**